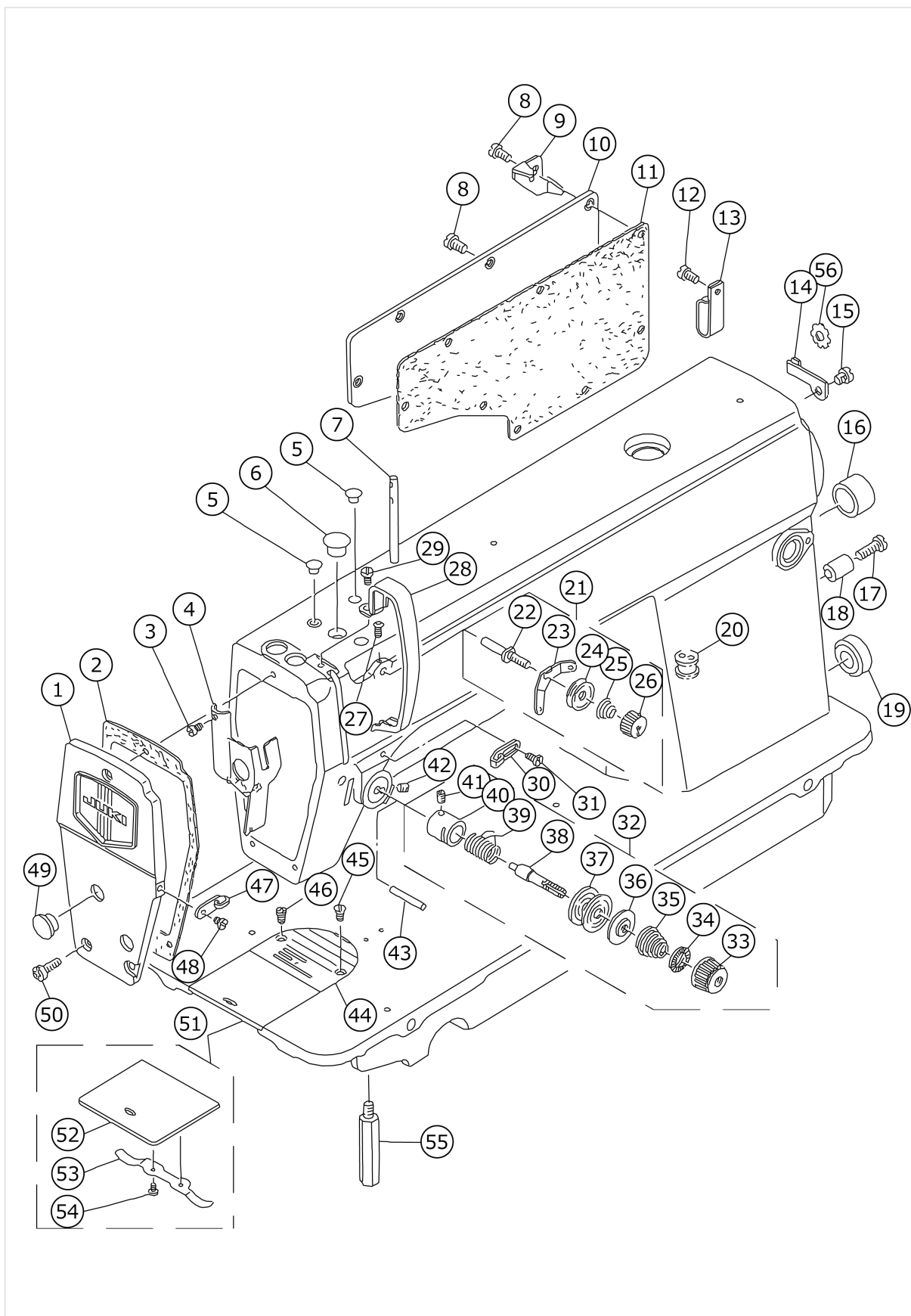


DDL-5570N/DDDL-5580N SERIES

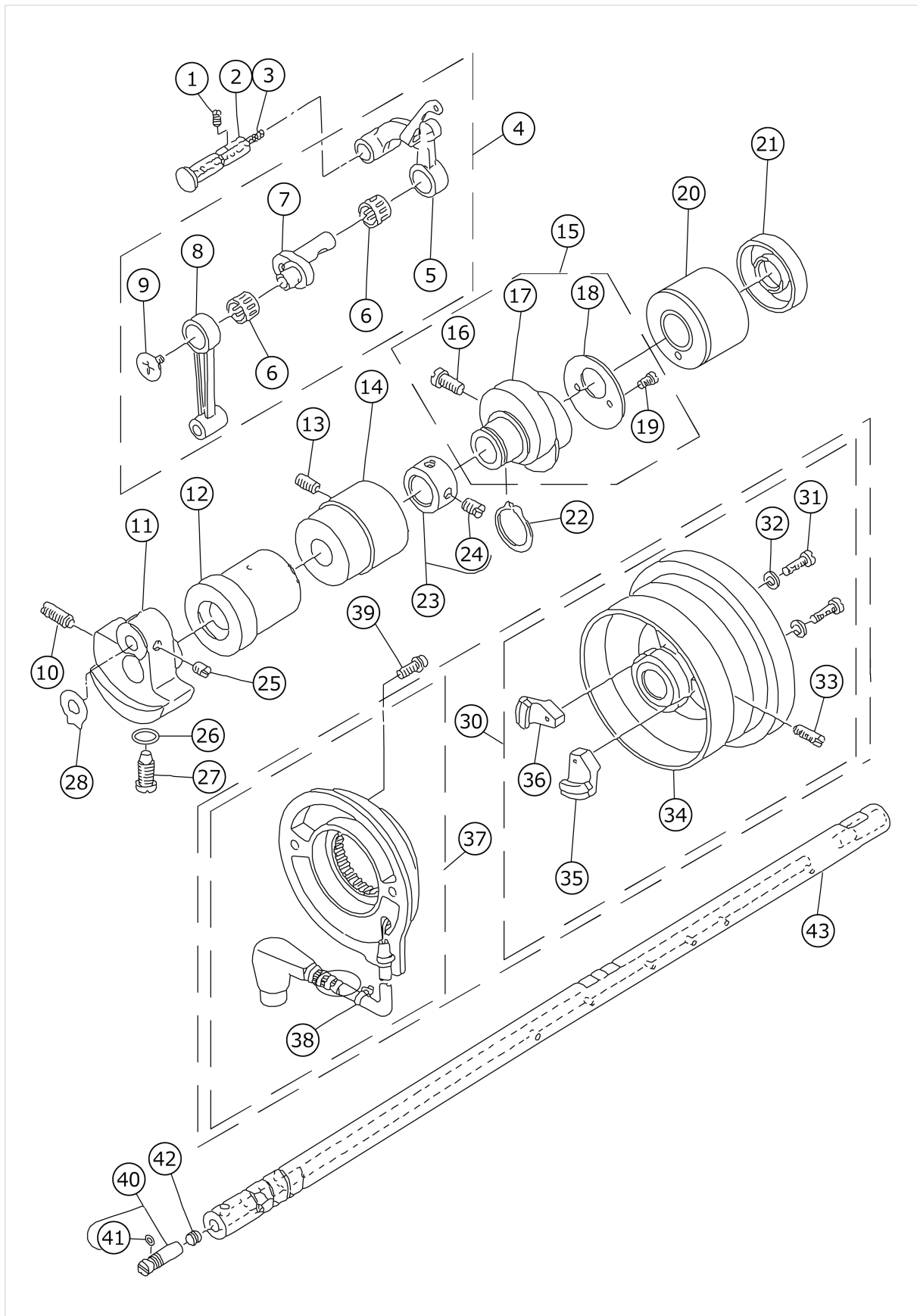
MACHINE FRAME & MISCELLANEOUS COVER COMPONENTS



No.	品番	品名	備考	子部品	消耗品	個数
1	11070851	FACE PLATE ASM.				1.00
2	11000304	FACE PLATE GASKET				1.00
3	SS6080410SP	SCREW 1/8-44 L=4				1.00
4	11000858	ARM OIL SHIELD ASM.				1.00
5	TA0850604R0	RUBBER PLUG				2.00
6	TA1250705R0	RUBBER PLUG				1.00
7	B1114012000	THREAD GUIDE PIN				1.00
8	SS4120915SP	SCREW 3/16-28 L=9				8.00
9	11102605	CORD HOLDER				1.00
10	11070901	SIDE PLATE				1.00
11	11000619	GASKET				1.00
12	SS4120915SP	SCREW 3/16-28 L=9				1.00
13	D2112555B00	CORD HOLDER, LARGE				1.00
14	11030301	CABLE HOLDER				1.00
15	SS4120615SP	SCREW 3/16-28 L=6				1.00
16	TA2000502R0	RUBBER PLUG				1.00
17	SS6121840SP	SCREW 3/16-28 L=18.0				1.00
18	11100500	REVERSE FEED LEVER STOPPER				1.00
19	TA2101002R0	RUBBER PLUG				1.00
20	11100104	MAGNET CORD RUBBER				1.00
21	11072451	THREAD TENSION NUT ASM.				1.00
22	11045002	FIRST TENSION POST		*		1.00
23	11045200	THREAD TENSION GUIDE		*		1.00
24	B3214047000	BOBBIN WINDER TENSION DISC		*		2.00
25	11045101	THREAD TENSION SPRING		*		1.00
26	11072402	THREAD TENSION NUT		*		1.00
27	SS4120615SP	SCREW 3/16-28 L=6				1.00
28	11071008	THREAD TAKE-UP LEVER COVER				1.00
29	SS4120615SP	SCREW 3/16-28 L=6				1.00
30	11018504	ARM THREAD GUIDE A				1.00
31	11001500	SCREW				1.00
32	11072352	THREAD TENSION ASM.				1.00
33	11072204	TENSION NUT		*		1.00
34	B3120125000	ROTATING STOPPER		*		1.00
35	B3129012A00	TENSION SPRING		*		1.00
36	B3132552000	THREAD TENSION DISK PRESSER		*		1.00
37	B3126012000	THREAD TENSION DISK		*		2.00
38	B3115552000	TENSION POST		*		1.00
39	B3128012000	TAKE-UP SPRING		*		1.00
40	B3111126000	TENSION POST SOCKET		*		1.00
41	SS8090670SP	SCREW 9/64-40 L= 5.5		*		1.00
42	SS8150710SP	SCREW 15/64-28 L=7				1.00
43	B3118552E00	THREAD RELEASE PIN				1.00
44	11028008	THROAT PLATE				1.00
45	SS2110920TP	SCREW 11/64-40 L=8.5				1.00
46	SS2110915SP	SCREW 11/64-40 L=6.8				1.00
47	11018603	ARM THREAD GUIDE B				1.00
48	SS6110610TP	SCREW 11/64-40 L=6				1.00
49	TA1250406R0	RUBBER PLUG				2.00
50	SS4120915SP	SCREW 3/16-28 L=9				3.00

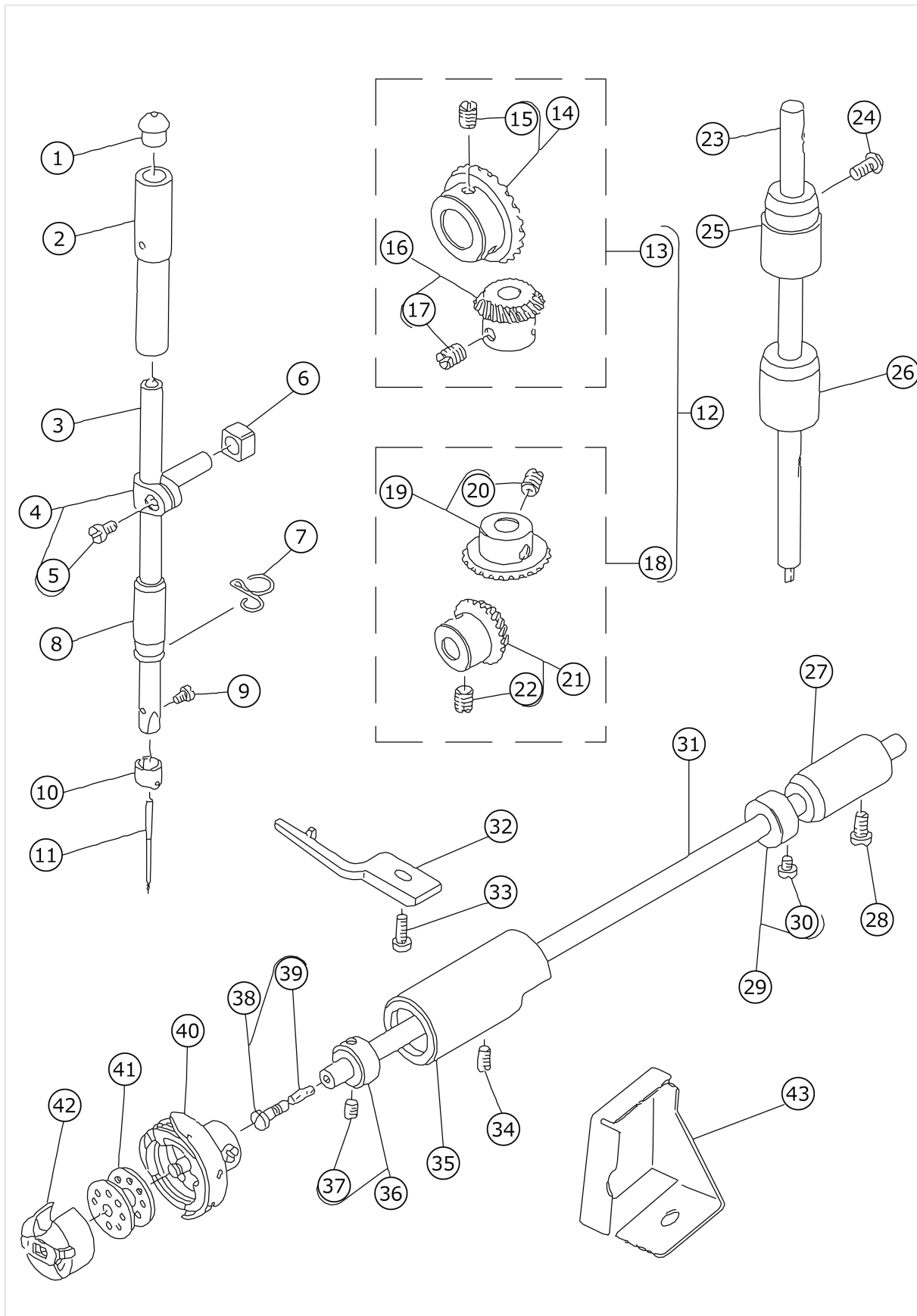
51	11001658	BED SLIDE ASM.				1.00
52	B1110012000	SLIDE PLATE		*		1.00
53	11001609	BED SLIDE SPRING		*		1.00
54	SS6060210SP	SCREW 3/32-56 L= 1.9		*		2.00
55	11001104	BED SCREW STUD				4.00
56	WT0530002KS	TOOTHED WASHER				1.00

MAIN SHAFT COMPONENTS



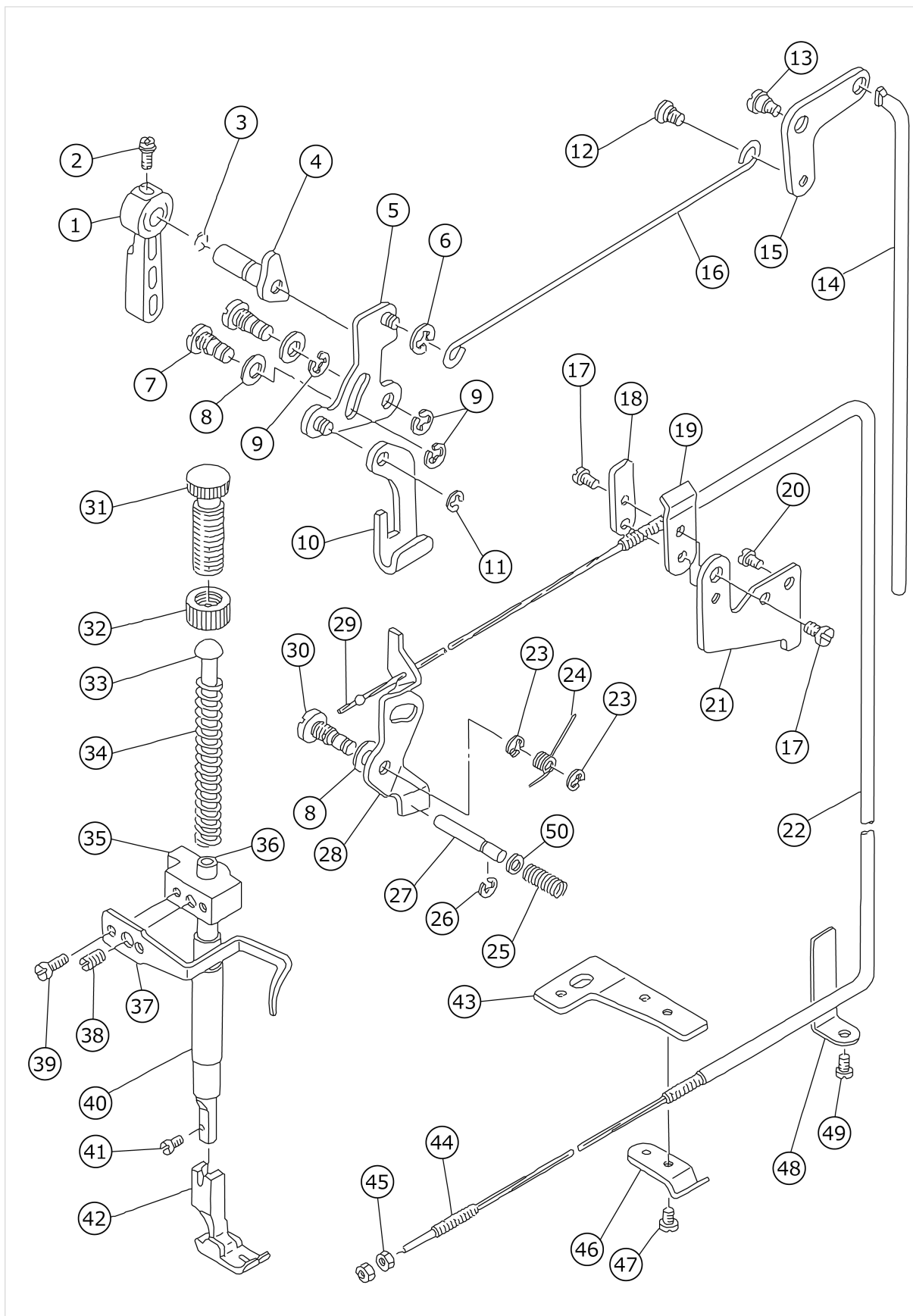
No.	品番	品名	備考	子部品	消耗品	個数
1	SS8151150SP	SCREW 15/64-28 L=10.5				1.00
2	11017209	THREAD TAKE-UP CRANK SHAFT				1.00
3	CQ3500000F0	OIL FELT				0.10
4	11039070	THREAD TAKE-UP LEVER ASM.				1.00
5	11039062	THREAD TAKE-UP LEVER ASM.		*		1.00
6	B1905541B00	BALANCE NEEDLE BEARING	SELECTING PART(A - D)	*		2.00
7	11005204	NEEDLE BAR CRANK		*		1.00
8	B1408552000	NEEDLE BAR CRANK ROD		*		1.00
9	B1903552000	LEFT SCREW		*		1.00
10	SS8681650TP	SCREW 9/32-28 L=16				1.00
11	11002102	COUNTERWEIGHT				1.00
12	11002201	MAIN SHAFT BUSHING, FRONT				1.00
13	SS8150912TH	SCREW				1.00
14	11002300	BUSHING, INTERMEDIATE				1.00
15	11008059	FEED DRIVE ECCENTRIC CAM ASM.				1.00
16	SS6661110SP	SCREW 1/4-40 L=11		*		2.00
17	11008000	FEED DRIVE ECCENTRIC CAM		*		1.00
18	11008109	THRUST COLLAR		*		1.00
19	SS6090670TP	SCREW 9/64-40 L=6		*		2.00
20	11002805	MAIN SHAFT BUSHING, REAR				1.00
21	11002508	OIL SEAL				1.00
22	RC1850001KP	SNAP RING 18.5				1.00
23	CS147121ASH	THRUST COLLAR ASM.D=14.72 W=12				1.00
24	SS8660610TP	SCREW 1/4-40 L=6		*		2.00
25	SS8660610TP	SCREW 1/4-40 L=6				2.00
26	RO044240100	RUBBER RING				1.00
27	SS7681650TP	SCREW 9/32-28 L=16				1.00
28	B1212552A00	COUNTERWEIGHT PROTECTING PLATE				1.00
29	11071552	SYNCHRONIZER ASM.				1.00
30	11071461	HAND WHEEL ASM.				1.00
31	SS6111210SP	SCREW 11/64-40 L=12		*		2.00
32	WP0450801SD	WASHER 4.5X10.0X0.8		*		2.00
33	SS8151550SP	SCREW 15/64-28 L=15		*		2.00
34	11071453	HAND WHEEL ASM.		*		1.00
35	M40071100AA	MAGNET FITTING BASE A ASM.		*		1.00
36	M40071100AB	MAGNET FITTING BASE B ASM.		*		1.00
37	11032265	GENERATOR STARTER ASM.				1.00
38	HX000430000	CLIP		*		2.00
39	SL4051001MZ	SCREW				2.00
40	B12135520A0A	OIL AMOUNT ADJUSTING PIN ASM.				1.00
41	RO029180100	RUBBER RING		*		1.00
42	11002904	ROLLER FELT				1.00
43	11002003	MAIN SHAFT				1.00

NEEDLE BAR, UPRIGHT SHAFT & HOOK DRIVING SHAFT COMPONENTS



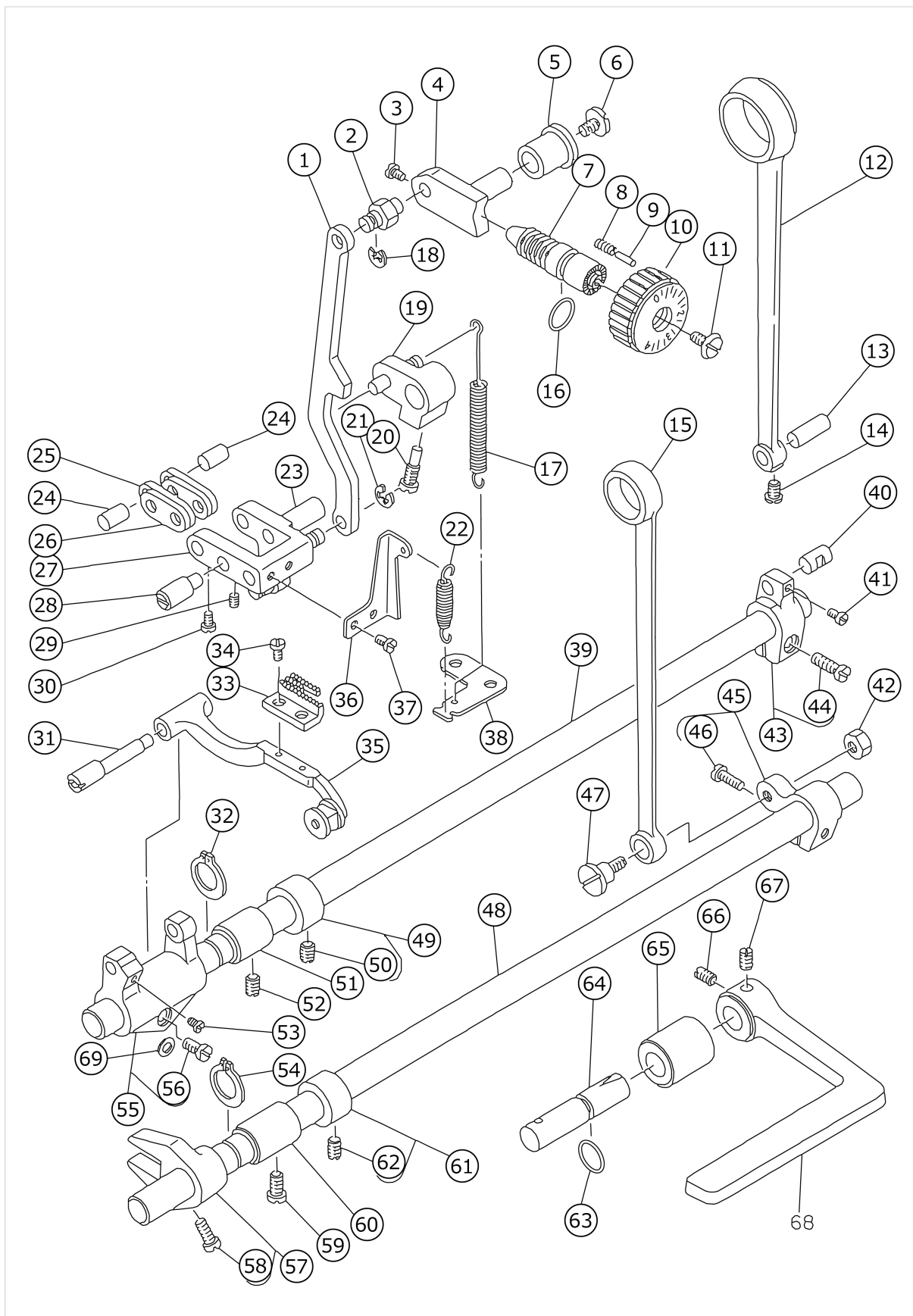
No.	品番	品名	備考	子部品	消耗品	個数
1	B1405012000	CAP				1.00
2	B1402552000A	NEEDLE BAR BUSHING, UPPER				1.00
3	11035003	NEEDLE BAR				1.00
4	B14115520A0	NEEDLE ROD HOLDER ASM.				1.00
5	SS6090670TP	SCREW 9/64-40 L=6		*		1.00
6	B1414555000	SLIDE BLOCK				1.00
7	11018801	NEEDLE BAR THREAD GUIDE				1.00
8	B1403155000	NEEDLE BAR BUSHING, LOWER				1.00
9	SS7080510TP	SCREW 1/8-44 L=4.5				1.00
10	11035300	NEEDLE BAR THREAD GUIDE				1.00
11	MDB100B1400	NEEDLE DBX1 #14				1.00
12	B13061550C0	GEAR & PINION ASM.				1.00
13	B13061550B0	GEAR & PINION ASM., UPPER		*		1.00
14	B13050120A0	GEAR ASM.		*		1.00
15	SS8660810TP	SCREW 1/4-40 L=8		*		2.00
16	B13061550A0	PINION ASM.		*		1.00
17	SS8660810TP	SCREW 1/4-40 L=8		*		2.00
18	B13071550B0	GEAR & PINION ASM., LOWER		*		1.00
19	B13071550A0	GEAR ASM. LARGE		*		1.00
20	SS8660810TP	SCREW 1/4-40 L=8		*		2.00
21	B13081550A0	PINION ASM.		*		1.00
22	SS8660810TP	SCREW 1/4-40 L=8		*		2.00
23	11004009	UPRIGHT SHAFT				1.00
24	SS4120915SP	SCREW 3/16-28 L=9				1.00
25	11004108	BUSHING, UPPER				1.00
26	11004207	UPRIGHT SHAFT BUSHING, LOWER				1.00
27	11015203	BUSHING, REAR				1.00
28	SS4120915SP	SCREW 3/16-28 L=9				1.00
29	CS079101ASH	THRUST COLLAR ASM. D=7.94 W=10				1.00
30	SS6110420TP	SCREW 11/64-40 L=4.8		*		2.00
31	11015005	HOOK DRIVING SHAFT				1.00
32	11038809	BOBBIN CASE HOLDER				1.00
33	SS6111010SP	SCREW 11/64-40 L= 9.5				1.00
34	SS8150432TH	SCREW				1.00
35	11015104	BUSHING ASM., FRONT				1.00
36	CS079073ASH	THRUST COLLAR				1.00
37	SS8110410TP	SCREW 11/64-40 L= 3.5		*		2.00
38	B18085520A0	OIL SEAL SCREW ASM.				1.00
39	B1810552000	OIL WICK				1.00
40	11038650	HOOK ASM.				1.00
41	B9117012000	BOBBIN				1.00
42	11038759	BOBBIN CASE ASM.				1.00
43	11038908	OIL SHIELD				1.00

HAND LIFTER COMPONENTS



No.	品番	品名	備考	子部品	消耗品	個数
1	11071800	HAND LIFTER				1.00
2	B1521555000	SCREW				1.00
3	RO037180100	RUBBER RING				1.00
4	11006756	HAND LIFTER CAM ASM.				1.00
5	11006350	HAND LIFTER LINK				1.00
6	RE0500000K0	E-RING				1.00
7	11006509	LINK SHAFT				2.00
8	11006608	GASKET				3.00
9	RE0500000K0	E-RING				3.00
10	11006202	LIFTING LEVER				1.00
11	11007309	LIFTING LEVER RING				1.00
12	11007101	HINGE SCREW				1.00
13	SD0720332SP	HINGE SCREW D= 7.24 H= 3.3				1.00
14	11007200	CONNECTING ROD VERTICAL				1.00
15	11007002	LIFTING LEVER LINK				1.00
16	11006905	LIFTING LEVER CONNECTING ROD				1.00
17	SS7110740TP	SCREW 11/64-40 L=7				2.00
18	11045507	WIRE HOLDER B				1.00
19	11045408	WIRE HOLDER A				1.00
20	SS4120615SP	SCREW 3/16-28 L=6				1.00
21	11045606	WIRE HOLDER BRACKET (UPPER)				1.00
22	11045804	WIRE TUBE				1.00
23	RE0500000K0	E-RING				2.00
24	11018207	TENSION RELEASE RETURN SPRING				1.00
25	11018405	TENSION RELEASE PIN SPRING				1.00
26	RE0400000K0	E-SHAPED SNAP RING (4MM)				1.00
27	11018306	TENSION RELEASE SUPPORTING PIN				1.00
28	11018009	TENSION RELEASE PLATE				1.00
29	11045903	WIRE CABLE				1.00
30	11018108	TENSION RELEASE SHAFT				1.00
31	11071602	PRESSER SPRING REGULATOR				1.00
32	11071701	NUT				1.00
33	B1510227000	PRESSER GUIDE BAR				1.00
34	B1505227000A	PRESSER SPRING				1.00
35	11028255	NEEDLE BAR GUIDE BRACKET ASM.				1.00
36	B1501127000	PRESSER BAR				1.00
37	11006103	PRESSER BAR THREAD GUIDE				1.00
38	SS8660810TP	SCREW 1/4-40 L=8				1.00
39	SS7090910SP	SCREW 9/64-40 L= 8.5				2.00
40	B1502541000	PRESSER BAR BUSHING, LOWER				1.00
41	SS7091110SP	SCREW 9/64-40 L=10.5				1.00
42	11028156	PRESSER FOOT ASM.				1.00
43	11045705	WIRE HOLDER BRACKET (LOWER)				1.00
44	D3159555B00	SET SCREW				1.00
45	NS6620310SP	NUT 3/16-32				2.00
46	11045408	WIRE HOLDER A				1.00
47	SS7110410SP	SCREW 11/64-40 L=4				1.00
48	11046000	WIRE CABLE HOLDER				1.00
49	SS4120615SP	SCREW 3/16-28 L=6				1.00
50	11019007	WASHER PLATE				1.00

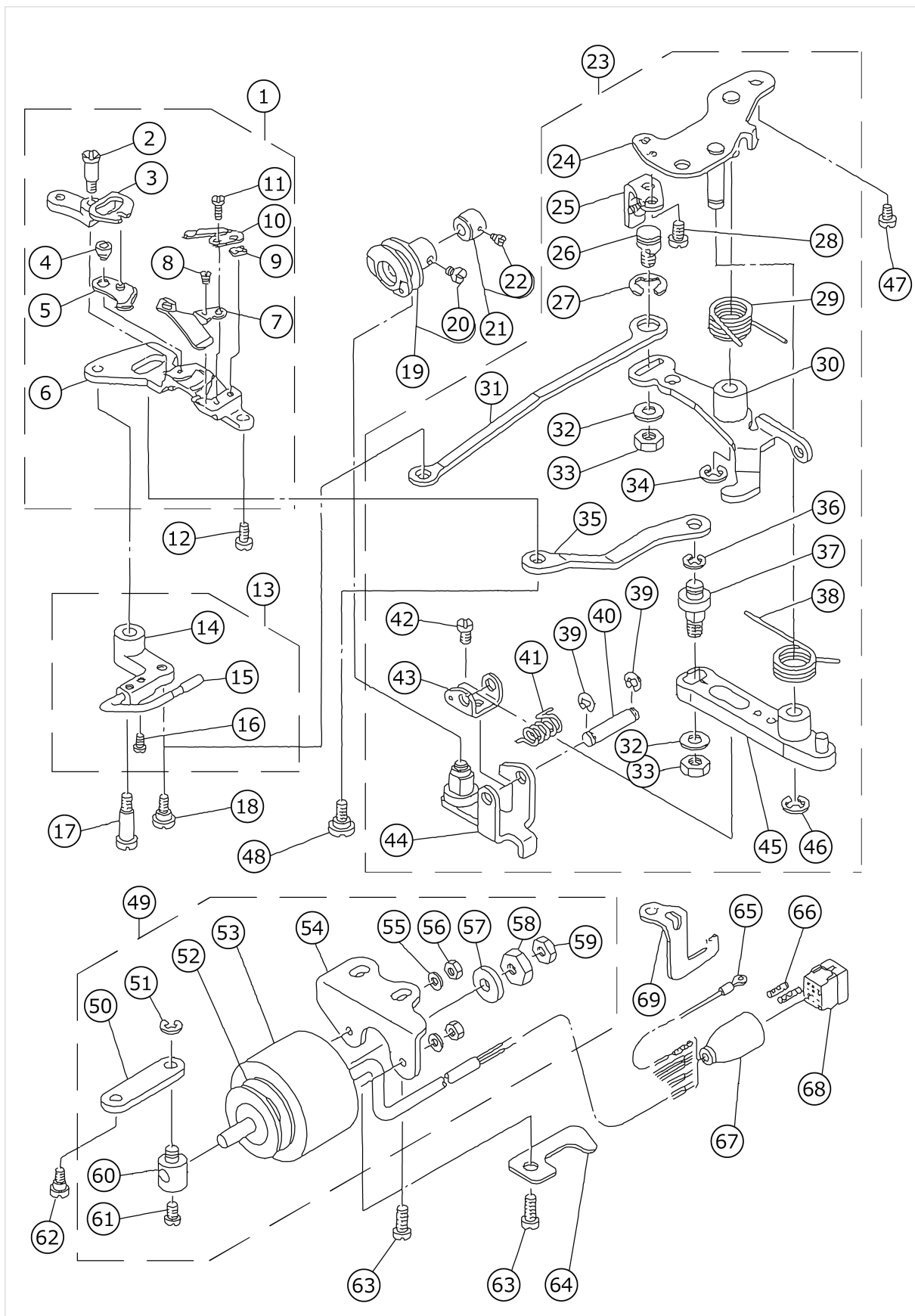
FEED MECHANISM COMPONENTS



No.	品番	品名	備考	子部品	消耗品	個数
1	11100401	FEED ADJUST ROD				1.00
2	11009602	FEED REGULATOR PIN				1.00
3	SS6090670TP	SCREW 9/64-40 L=6				2.00
4	11009701	FEED REGULATOR				1.00
5	11011509	FEED REGULATOR BUSHING				1.00
6	SS7120770SH	SCREW				1.00
7	11009909	FEED REGULATOR SCREW				1.00
8	B1148555000	SPRING				1.00
9	11052701	PIN				1.00
10	11072006	FEED DIAL				1.00
11	SS6121860SP	SCREW				1.00
12	11008208	ROCKER SHAFT CONNECTING ROD				1.00
13	11009206	WALKING FOOT PIN C				1.00
14	SS6090620SP	SCREW 9/64-40 L=6				1.00
15	11014008	CONNECTING ROD				1.00
16	RO092270200	RUBBER RING				1.00
17	11010303	FEED REVERSE SPRING				1.00
18	RE0500000K0	E-RING				1.00
19	11010154	FEED REVERSE ARM ASM.				1.00
20	11010402	FEED REVERSE ARM SCREW				1.00
21	RE0500000K0	E-RING				1.00
22	11009404	ADGUSTING LINK SPRING				1.00
23	11008901	ADGUSTING LINK FULCRUM SHAFT B				1.00
24	11009008	WALKING FOOT PIN A				2.00
25	11008703	WALKING FOOT LINK				2.00
26	11008604	CONNECTING LINK A				2.00
27	11100252	FEED ADJUST LINK ASM.				1.00
28	11008802	ADGUSTING LINK FULCRUM SHAFT A				1.00
29	SS8150710SP	SCREW 15/64-28 L=7				2.00
30	SS6090620SP	SCREW 9/64-40 L=6				2.00
31	11037207	FEED BAR SHAFT				1.00
32	RC0150001KP	RETAINING RING 13.8				1.00
33	B1613012A00	FEED DOG A				1.00
34	SS4080620TP	SCREW 1/8-44 L=6				2.00
35	11037355	FEED BAR ASM.				1.00
36	11009305	ADGUSTING LINK SPRING GUIDE				1.00
37	SS7110510SP	SCREW 11/64-40 L=5				1.00
38	11011301	FEED SPRING HOOK				1.00
39	11010808	FEED ROCKER SHAFT				1.00
40	11009107	WALKING FOOT PIN B				1.00
41	SS6090620SP	SCREW 9/64-40 L=6				1.00
42	NS6680410SP	NUT 9/32-28				1.00
43	11008356	FEED ROCKER SHAFT CRANK ASM.				1.00
44	SS7121410SP	SCREW 3/16-28 L=14		*		1.00
45	11014156	REAR CRANK ASM.				1.00
46	SS6121210SP	SCREW 3/16-28 L=12		*		1.00
47	SD1000801SH	HINGE SCREW				1.00
48	11014206	FEED DRIVING SHAFT				1.00
49	CS147121ASH	THRUST COLLAR ASM.D=14.72 W=12				1.00
50	SS8660610TP	SCREW 1/4-40 L=6		*		2.00

51	11010907	FEED ROCKER SHAFT BUSHING				1.00
52	SS8150432TH	SCREW				1.00
53	SS7110740TP	SCREW 11/64-40 L=7				1.00
54	RC0150001KP	RETAINING RING 13.8				1.00
55	11037157	FEED BAR CRANK ASM.				1.00
56	SS7121410TP	SCREW 3/16-28 L=14		*		1.00
57	11014354	DRIVING SHAFT CRANK ASM.,FRONT				1.00
58	SS7111120SP	SCREW 11/64-40 L=10.5		*		1.00
59	SS4120915SP	SCREW 3/16-28 L=9				1.00
60	11010907	FEED ROCKER SHAFT BUSHING				1.00
61	CS147121ASH	THRUST COLLAR ASM.D=14.72 W=12				1.00
62	SS8660610TP	SCREW 1/4-40 L=6		*		2.00
63	RO078190100	RUBBER RING				1.00
64	11053105	FEED REVERSE SHAFT				1.00
65	11010709	FEED LEVER METAL				1.00
66	SS8660810TP	SCREW 1/4-40 L=8				1.00
67	SS8661040TP	SCREW 1/4-40 L=10				1.00
68	11072105	REVERSE FEED CONTROL LEVER				1.00
69	WP0480856SP	WASHER 4.8X8.4X0.8				1.00

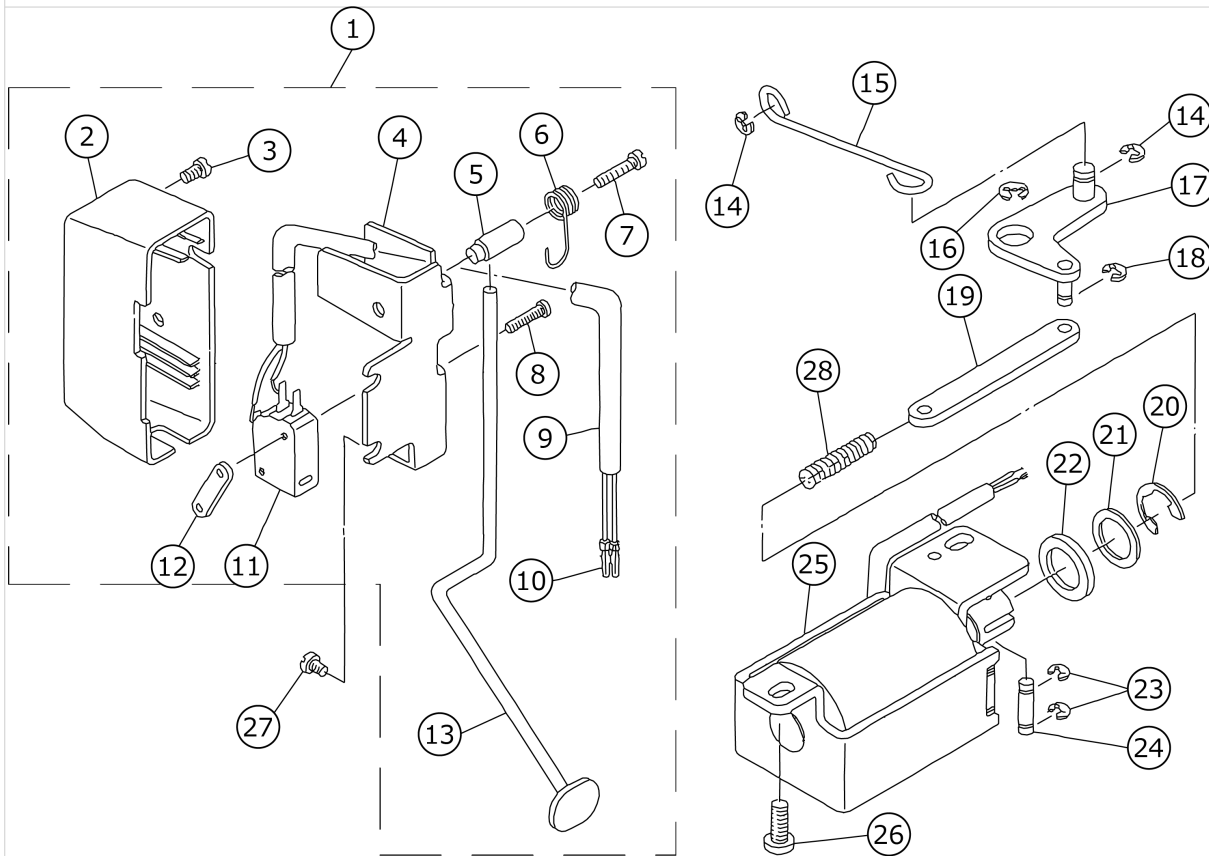
THREAD TRIMMER COMPONENTS



No.	品番	品名	備考	子部品	消耗品	個数
1	11040359	KNIFE UNIT				1.00
2	SD0460702TP	HINGE SCREW D=4.6 H=7		*		1.00
3	11040508	FORKED BASE FOR KNIFE		*		1.00
4	11040409	MOVING KNIFE HINGE SCREW		*		1.00
5	11040052	MOVING KNIFE ASM.		*		1.00
6	11040300	KNIFE MOUNTING BASE		*		1.00
7	11040201	THREAD GUIDE FOR KNIFE		*		1.00
8	SS2060210SP	SCREW 3/32-56 L=2.3		*		1.00
9	D2404555B00	COUNTER KNIFE SPACER		*		1.00
10	D2406555D0H	COUNTER KNIFE		*		1.00
11	SS4080620TP	SCREW 1/8-44 L=6		*		2.00
12	SS4110715SP	SCREW 11/64-40 L=7				1.00
13	11042553	PICKER ARM ASM.				1.00
14	11042504	PICKER ARM		*		1.00
15	11042652	THREAD TAKE-UP PICKER ASM.		*		1.00
16	SS6090510SP	SCREW 9/64-40 L=5		*		2.00
17	SD0641451SP	HINGE SCREW D= 6.35 H=14.5				1.00
18	SD0630275SP	HINGE SCREW D= 6.35 H= 2.7				1.00
19	11042850	THREAD TRIMMER CAM ASM.				1.00
20	SS6660610TP	SCREW 1/4-40 L=6		*		2.00
21	11042959	CAM COLLAR ASM.				1.00
22	SS8110520TP	SCREW 11/64-40 L= 4.5		*		1.00
23	11042264	THREAD TRIMMER DRIVING UNIT				1.00
24	11042058	BASE PLATE ASM.		*		1.00
25	11042751	DRIVING ARM STOPPER ASM.		*		1.00
26	11042306	PICKER LINK PIN		*		1.00
27	RE0800000K0	E-SHAPED SNAP RING (8MM)		*		1.00
28	SS4110715SP	SCREW 11/64-40 L=7		*		2.00
29	11041704	CLUTCH SPRING		*		1.00
30	11041852	CLUTCH PLATE ASM.		*		1.00
31	11042405	PICKER LINK		*		1.00
32	WP0621016SH	WASHER		*		2.00
33	NS6150430SP	NUT 15/64-28		*		2.00
34	RE0600000K0	E-SHAPED SNAP RING (6MM)		*		1.00
35	11040607	MOVING KNIFE LINK		*		1.00
36	RE0500000K0	E-RING		*		1.00
37	11040706	MOVING KNIFE LINK PIN		*		1.00
38	11043700	KNIFE RETURN SPRING, B		*		1.00
39	RE0400000K0	E-SHAPED SNAP RING (4MM)		*		2.00
40	11041407	ROLLER FULCRUM SHAFT		*		1.00
41	11041506	ROLLER RETURN SPRING		*		1.00
42	SS7090610SP	SCREW 9/64-40 L=6		*		1.00
43	11041308	ROLLER ARM BRACKET		*		1.00
44	11040953	ROLLER ARM ASM.		*		1.00
45	11040854	KNIFE DRIVING ARM ASM.		*		1.00
46	RE0600000K0	E-SHAPED SNAP RING (6MM)		*		1.00
47	SS4150915SP	SCREW 15/64-28 L=9				2.00
48	SD0640702TH	HINGE SCREW				1.00
49	11043353	SOLENOID UNIT				1.00
50	11042207	CLUTCH LINK		*		1.00

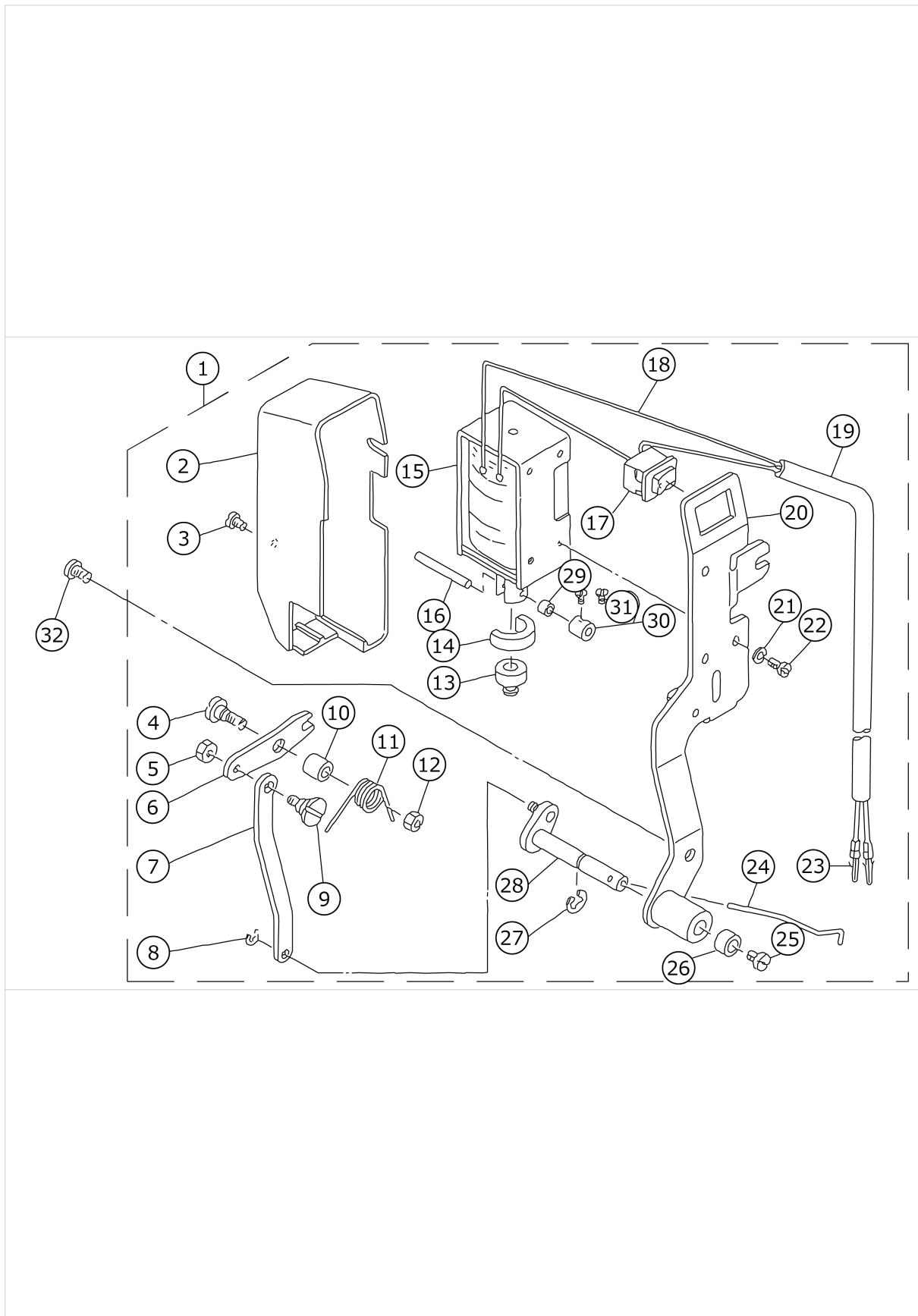
51	RE0500000K0	E-RING		*		1.00
52	11043205	SOLENOID RUBBER A		*		1.00
53	11043106	THREAD TRIMMER SOLENOID		*		1.00
54	11043403	SOLENOID BASE		*		1.00
55	WP0450000SD	WASHER 4.5X8X0.5		*		2.00
56	NM6040000SN	NUT M4		*		2.00
57	11043304	SOLENOID RUBBER		*		1.00
58	NS6660410SH	NUT		*		1.00
59	NS6660430SP	NUT 1/4-40		*		1.00
60	11043007	SOLENOID PIN		*		1.00
61	SS6110710TP	SCREW 11/64-40 L= 6.5		*		1.00
62	SD0600361SP	HINGE SCREW				1.00
63	SS4151215SP	SCREW				2.00
64	11021706	TUBE HOLDER (LOWER)				1.00
65	11043551	GROUND WIRE ASM.				1.00
66	D6043555B00	PIN TERMINAL, MALE				2.00
67	M9637110000	12-POLE PLUG COVER				1.00
68	M9640110000	12-POLE PLUG				1.00
69	11095304	THREAD TRIMMER ADJUSTING PLATE				1.00

AUTOMATIC REVERSE FEED COMPONENTS



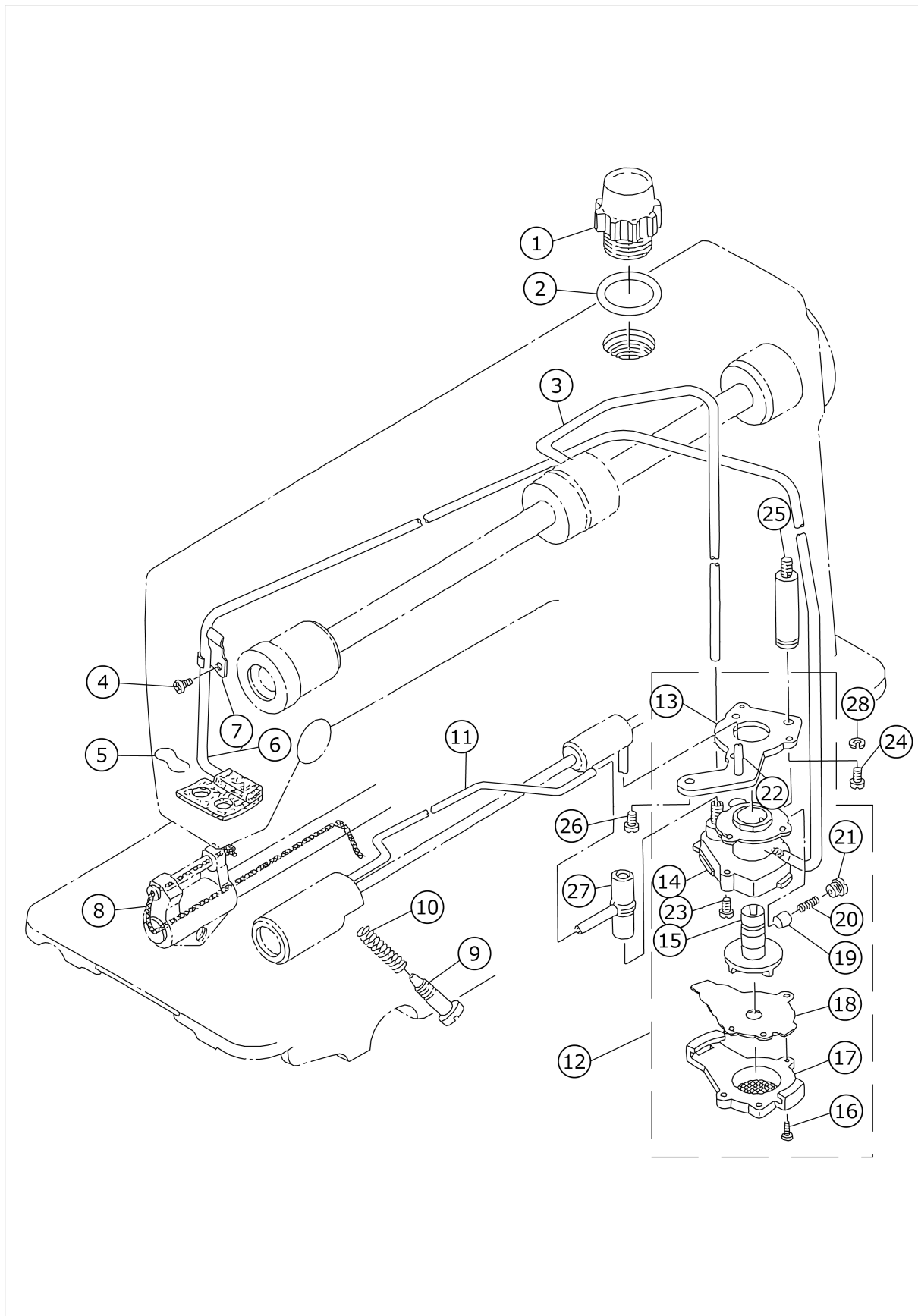
No.	品番	品名	備考	子部品	消耗品	個数
1	11072550	REVERSE FEED SWITCH ASM.				1.00
2	11072501	REVERSE FEED SWITCH COVER		*		1.00
3	SS4110615SP	SCREW 11/64-40 L=6		*		1.00
4	11102001	REVERSE FEED SWITCH BASE		*		1.00
5	11102100	REVERSE FEED SWITCH SHAFT		*		1.00
6	11102209	REVERSE FEED SWITCH SPRING		*		1.00
7	SS4111815SP	SCREW		*		1.00
8	SM4031501SC	SCREW		*		2.00
9	HW500070000	2-CORE CABTYRE CORD		*		1.50
10	D6043555B00	PIN TERMINAL, MALE		*		2.00
11	HA001700000	MICROSWITCH		*		1.00
12	11102308	REVERSE FEED SWITCH PLATE		*		1.00
13	11072600	REVERSE FEED SWITCH LEVER		*		1.00
14	RE0500000K0	E-RING				2.00
15	11101300	REVERSE FEED CONNECTING SHAFT				1.00
16	RE0900000K0	SNAP RING 9.0				1.00
17	11101151	CONNECTING ARM ASM.				1.00
18	RE0400000K0	E-SHAPED SNAP RING (4MM)				1.00
19	11101417	REVERSE FEED CONNECTING LINK				1.00
20	RE1200000K0	SNAP RING 12				1.00
21	WP1602616SZ	WASHER 16X24X2.6				1.00
22	D2468555B00	RUBBER PLUNGER				1.00
23	RE0400000K0	E-SHAPED SNAP RING (4MM)				1.00
24	11101003	PLUNGER ARM PIN				1.00
25	11100757	REVERSE FEED MAGNET ASM.				1.00
26	SS4151215SP	SCREW				1.00
27	SS4120915SP	SCREW 3/16-28 L=9				2.00
28	11217601	WALKING FOOT SPRING				1.00

WIPER COMPONENTS



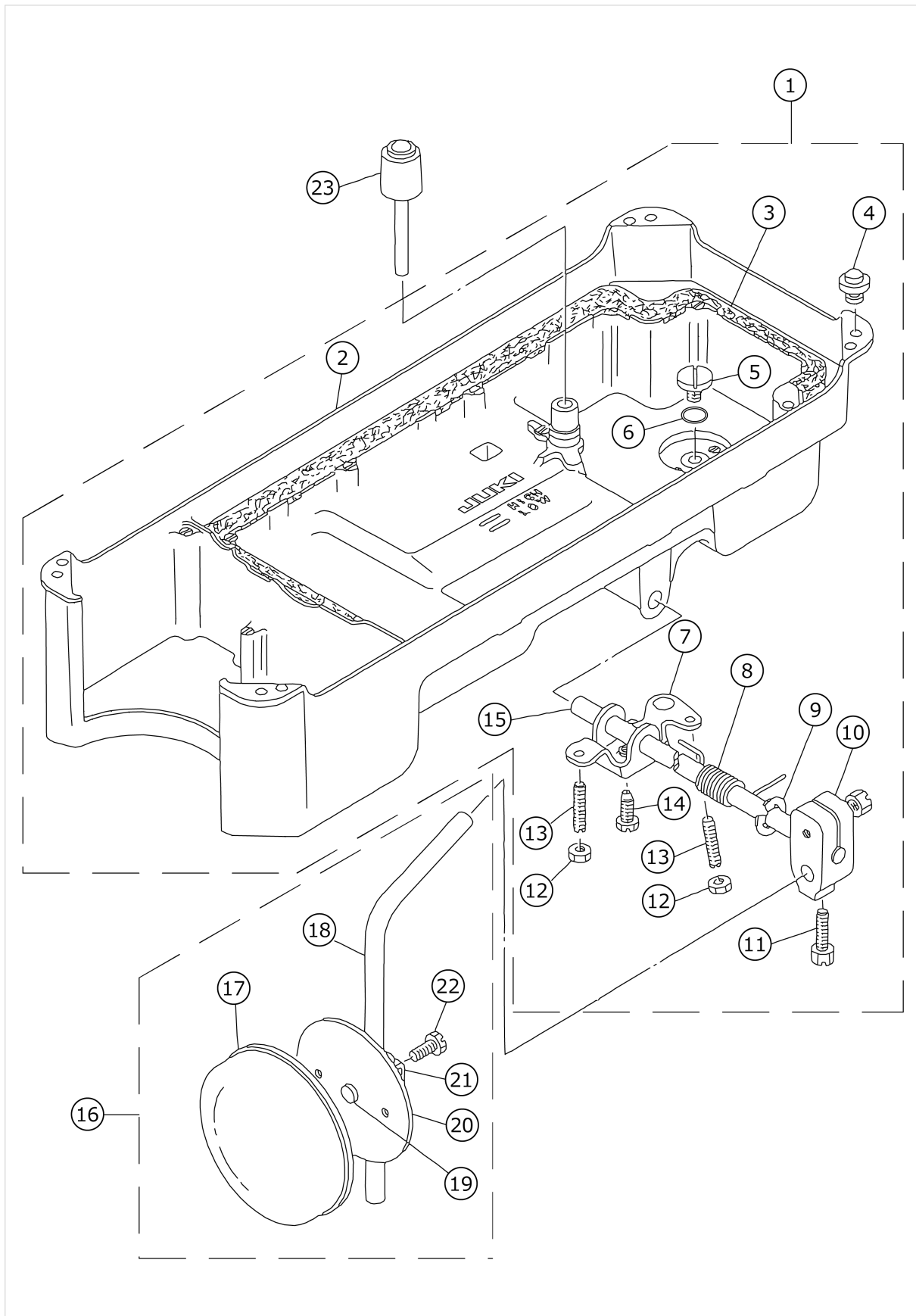
No.	品番	品名	備考	子部品	消耗品	個数
1	11072758	WIPER SOLENOID ASM.				1.00
2	11072709	WIPER COVER		*		1.00
3	SM4030601SN	SCREW M3 X 6		*		1.00
4	SD0650321TP	HINGE SCREW		*		1.00
5	NS6090310SP	NUT 9/64-40		*		1.00
6	11110608	WIPER LINK A		*		1.00
7	11110905	CONNECTING LINK		*		1.00
8	RE0250000K0	E-SHAPED SNAP RING (2.5MM)		*		1.00
9	11111507	WIPER LINK B, HINGE SCREW		*		1.00
10	11110707	WIPER HINGE SCREW COLLAR		*		1.00
11	11110806	WIPER SPRING		*		1.00
12	NS6110310SP	NUT 11/64-40		*		1.00
13	11110400	WIPER RUBBER A		*		1.00
14	11110509	WIPER RUBBER B		*		1.00
15	11110301	WIPER SOLENOID		*		1.00
16	11111705	WIPER SOLENOID PIN		*		2.00
17	HA000590000	POWER SWITCH		*		1.00
18	HW200390000	ELECTRIC WIRE		*		1.00
19	HW500070000	2-CORE CABTYRE CORD		*		1.50
20	11110152	WIPER BASE ASM.		*		1.00
21	WS0310002KN	SPRING WASHER M3		*		1.00
22	SM4030601SN	SCREW M3 X 6		*		3.00
23	D6043555B00	PIN TERMINAL, MALE		*		2.00
24	11111606	WIPER		*		1.00
25	SS6090540SP	SCREW 9/64-40 L= 5.0		*		1.00
26	11111309	BRACKET INSTALLING COLLAR		*		1.00
27	RE0500000K0	E-RING		*		1.00
28	11111051	WIPER DRIVING SHAFT ASM.		*		1.00
29	11111804	WIPER LINK COLLAR		*		1.00
30	CS030071ASP	THRUST COLLAR ASM.		*		1.00
31	SS6080310SP	SCREW 1/8-44 L= 2.5		*		2.00
32	SS4120915SP	SCREW 3/16-28 L=9				2.00

OIL LUBRICATION COMPONENTS



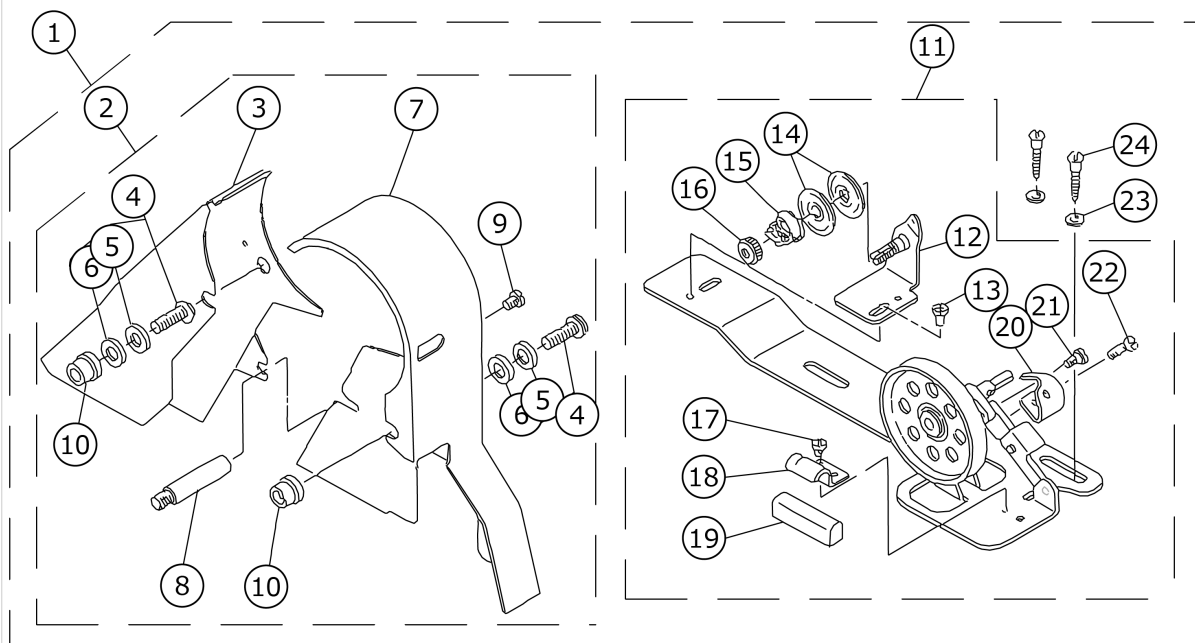
No.	品番	品名	備考	子部品	消耗品	個数
1	11046505	OIL SIGHT WINDOW				1.00
2	RO195240100	RUBBER RING				1.00
3	11021201	MAIN SHAFT OIL TUBE				1.00
4	SS4120615SP	SCREW 3/16-28 L=6				1.00
5	B3529226000	OIL FELT PRESSER				1.00
6	11021151	OIL RETURN TUBE ASM.				1.00
7	11021805	OIL RETURN TUBE HOLDER		*		1.00
8	CQ252000000	OIL WICK				0.30
9	B3514412000	OIL ADJUSTING SCREW				1.00
10	B2616372000	SPRING				1.00
11	11021300	OIL TUBE				1.00
12	11020054	LUBRICATING OIL PUMP ASM.				1.00
13	11020302	OIL PUMP INSTALLING BASE		*		1.00
14	11020005	OIL PUMP		*		1.00
15	11020708	OIL PUMP IMPELLER		*		1.00
16	SE4301041SR	SCREW		*		3.00
17	11020203	LUBRICATING OIL PUMP COVER		*		1.00
18	11020807	OIL PUMP IMPELLER COVER		*		1.00
19	11020401	PLUNGER		*		1.00
20	11020609	PLUNGER SPRING		*		1.00
21	11020500	PLUNGER SCREW		*		1.00
22	11020906	HOOK DRIVING SHAFT OIL TUBE		*		1.00
23	SL4030851SF	SCREW M3 L=8		*		3.00
24	SS6111010TP	SCREW 11/64-40 L= 9.5				1.00
25	11100609	OIL PUMP SUPPORT				1.00
26	SS4150915SP	SCREW 15/64-28 L=9				1.00
27	11021409	RUBBER JOINT				1.00
28	WS0451040KP	SPRING WASHER 4.5X8.5X1				1.00

OIL RESERVOIR COMPONENTS



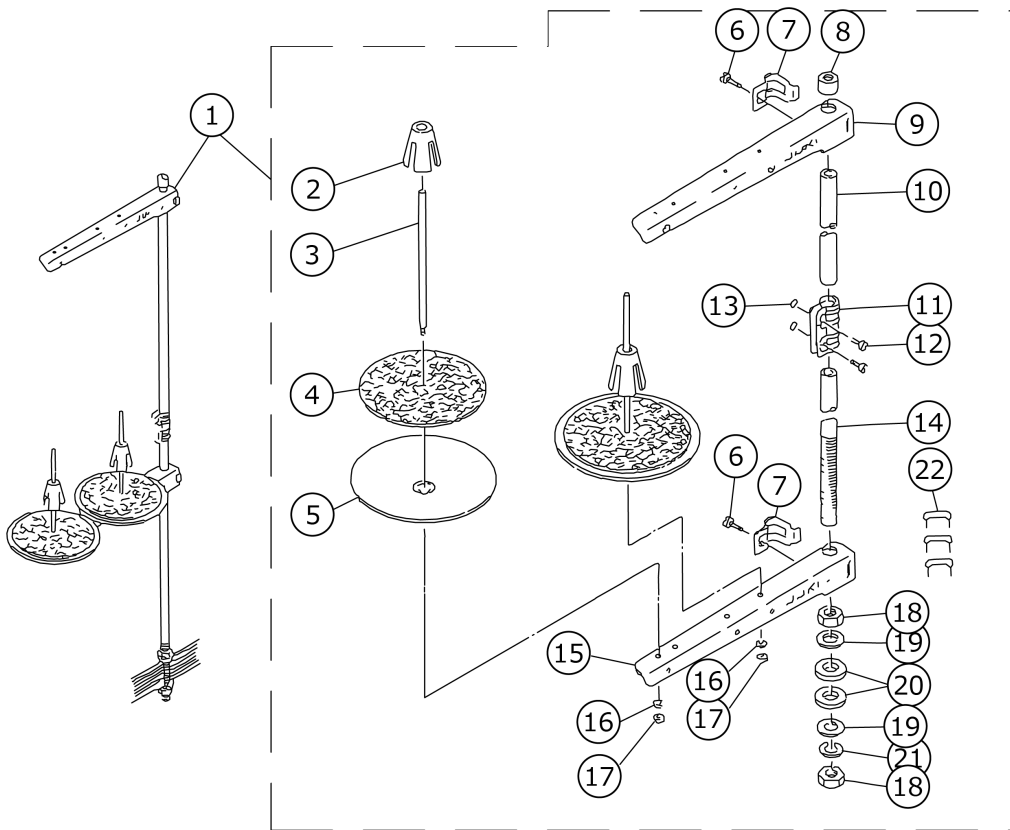
No.	品番	品名	備考	子部品	消耗品	個数
1	11047057	OIL RESERVOIR ASM.				1.00
2	11023017	OIL RESERVOIR		*		1.00
3	11024700	GASKET		*		1.00
4	11047107	RUBBER CUSHION		*		4.00
5	SS6700710SH	SCREW		*		1.00
6	RO098240100	RUBBER RING		*		1.00
7	11024007	CONNECTING ROD, VERTICAL		*		1.00
8	11024106	SPRING		*		1.00
9	RE1000000K0	E-RING		*		1.00
10	11024502	KNEE PRESS LOD BEARING BRACKET		*		1.00
11	SS9182010SN	SCREW 9/32-20 L=20		*		2.00
12	NS6150430SR	NUT 15/64-28		*		2.00
13	SS8153010SR	SCREW 15/64-28 L=30		*		1.00
14	SS9151610SR	SCREW 15/64-28 L=16		*		1.00
15	11024205	KNEE PRESS ROD		*		1.00
16	11023751	KNEE PRESS PLATE ASM.				1.00
17	B3431552000A	KNEE PRESS PLATE COVER		*		1.00
18	B3419122000	KNEE LIFTER PLATE ROD		*		1.00
19	11024403	RUBBER		*		1.00
20	11023702	KNEE PRESS PLATE		*		1.00
21	11023801	KNEE PRESS PLATE HOLDER		*		1.00
22	SS9151540SR	SCREW 15/64-28 L=15		*		1.00
23	11024304	KNEE PRESS LIFTER ROD				1.00

BELT COVER & BOBBIN WINDER COMPONENTS



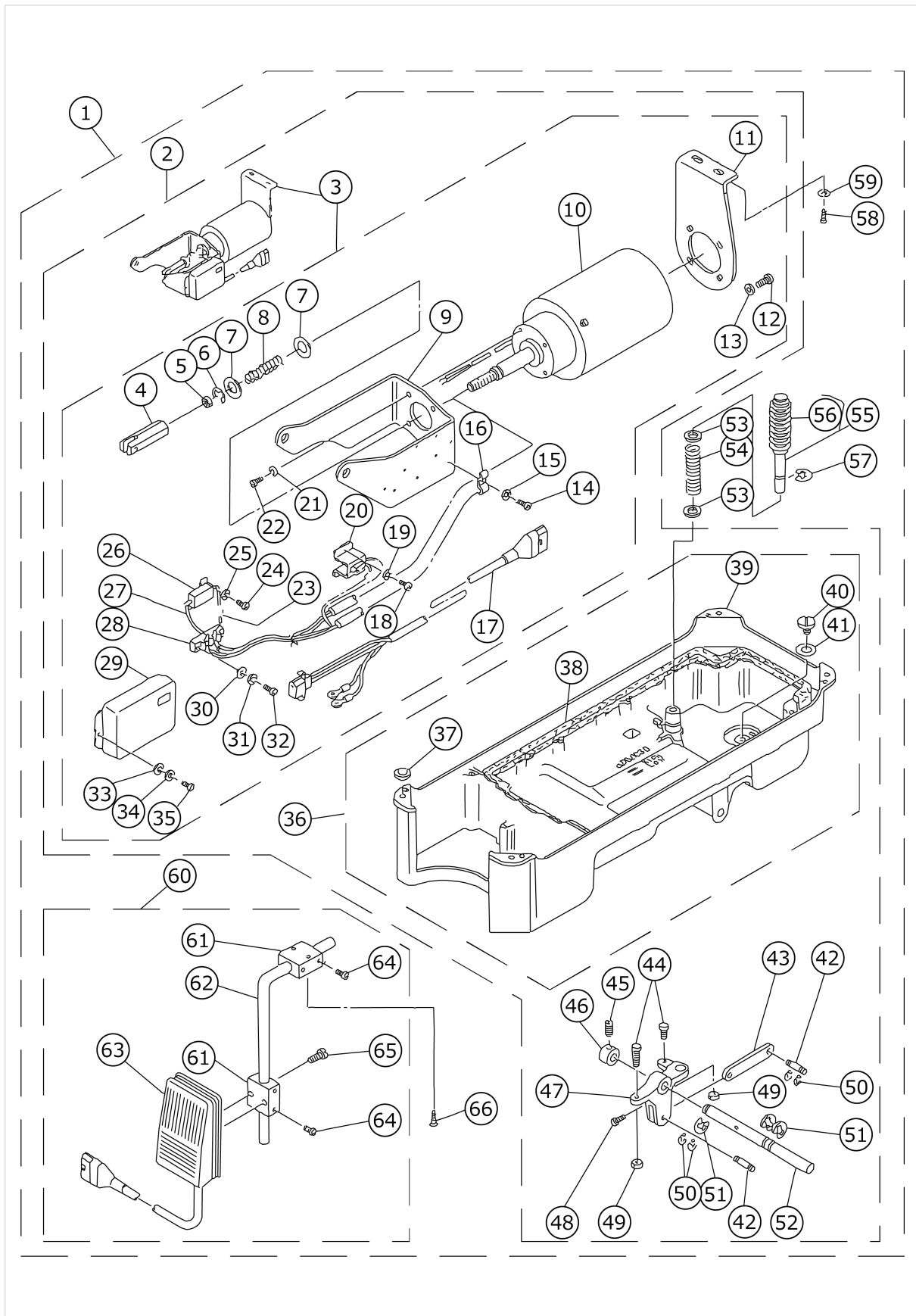
No.	品番	品名	備考	子部品	消耗品	個数
1	11072964	BELT COVER SPOOL ASM.				1.00
2	11072956	BELT COVER ASM.		*		1.00
3	11072907	BELT COVER, A		*		1.00
4	11047354	BELT COVER SET SCREW ASM.		*		2.00
5	WP0820526SD	WASHER 8.2X14X0.5		*		2.00
6	11047305	BELT COVER RUBBER CUSHION		*		2.00
7	11073004	BELT COVER, B		*		1.00
8	11023504	BELT COVER SUPPORT		*		1.00
9	SS7120640SP	SCREW 3/16-28 L=6		*		1.00
10	11047255	BELT COVER COLLAR ASM.		*		2.00
11	D3201555DA0	BOBBIN WINDER ASM.		*		1.00
12	D3213555DA0	THREAD TENSION BRACKET ASM.		*		1.00
13	SS4110815SP	SCREW 11/64-40 L=8		*		1.00
14	B3126012000	THREAD TENSION DISK		*		2.00
15	B3129012B00	THREAD TENSION SPRING		*		1.00
16	B3125012000	THREAD TENSION NUT		*		1.00
17	SS7110350SP	SCREW 11/64-40 L=3		*		1.00
18	B3212555000	PRESSER PLATE		*		1.00
19	B3211555000	RUBBER BRAKE		*		1.00
20	B3209555000	POSITIONING FINGER		*		1.00
21	SD0490261SP	HINGE SCREW D=4.9 H=2.6		*		1.00
22	SS7081310SP	SCREW 1/8-44 L=12.5		*		1.00
23	WP0501016SC	WASHER 5X10.5X1		*		2.00
24	SK3482500SC	WOOD SCREW D=4.8 L=25		*		2.00

THREAD STAND COMPONENTS



No.	品番	品名	備考	子部品	消耗品	個数
1	11183654	THREAD STAND ASM.				1.00
2	11184009	SPOOL RETAINER		*		2.00
3	B3320704L00A	SPOOL PIN		*		2.00
4	B3311012000	SPOOL REST CUSHION		*		2.00
5	11183902	SPOOL REST		*		2.00
6	SM6061610SC	SCREW M6 L=16		*		2.00
7	11184306	THRED GUIDE ARM JOINT		*		2.00
8	11184108	SPOOL REST ROD RUBBER CAP		*		1.00
9	11181757	THREAD GUIDE ASM.		*		1.00
10	11183704	SPOOL REST ROD, UPPER		*		1.00
11	11184207	SPOOL REST ROD JOINT		*		1.00
12	SM4051405SE	SCREW M5X0.8 L=14		*		2.00
13	NM6050001SE	NUT M5X0.8		*		2.00
14	11183605	SPOOL REST ROD, LOWER		*		1.00
15	11183803	SPOOL REST ARM		*		1.00
16	WS0510002KN	SPRING WASHER		*		2.00
17	NM6050001SE	NUT M5X0.8		*		2.00
18	B3317704000	NUT C15		*		2.00
19	WP1702600S0	WASHER 17X30X2.6		*		2.00
20	D3310555D00	RUBBER WASHER		*		2.00
21	WS1643202KR	SPRING WASHER		*		1.00
22	MAO11532000	CORD STAPLE		*		3.00

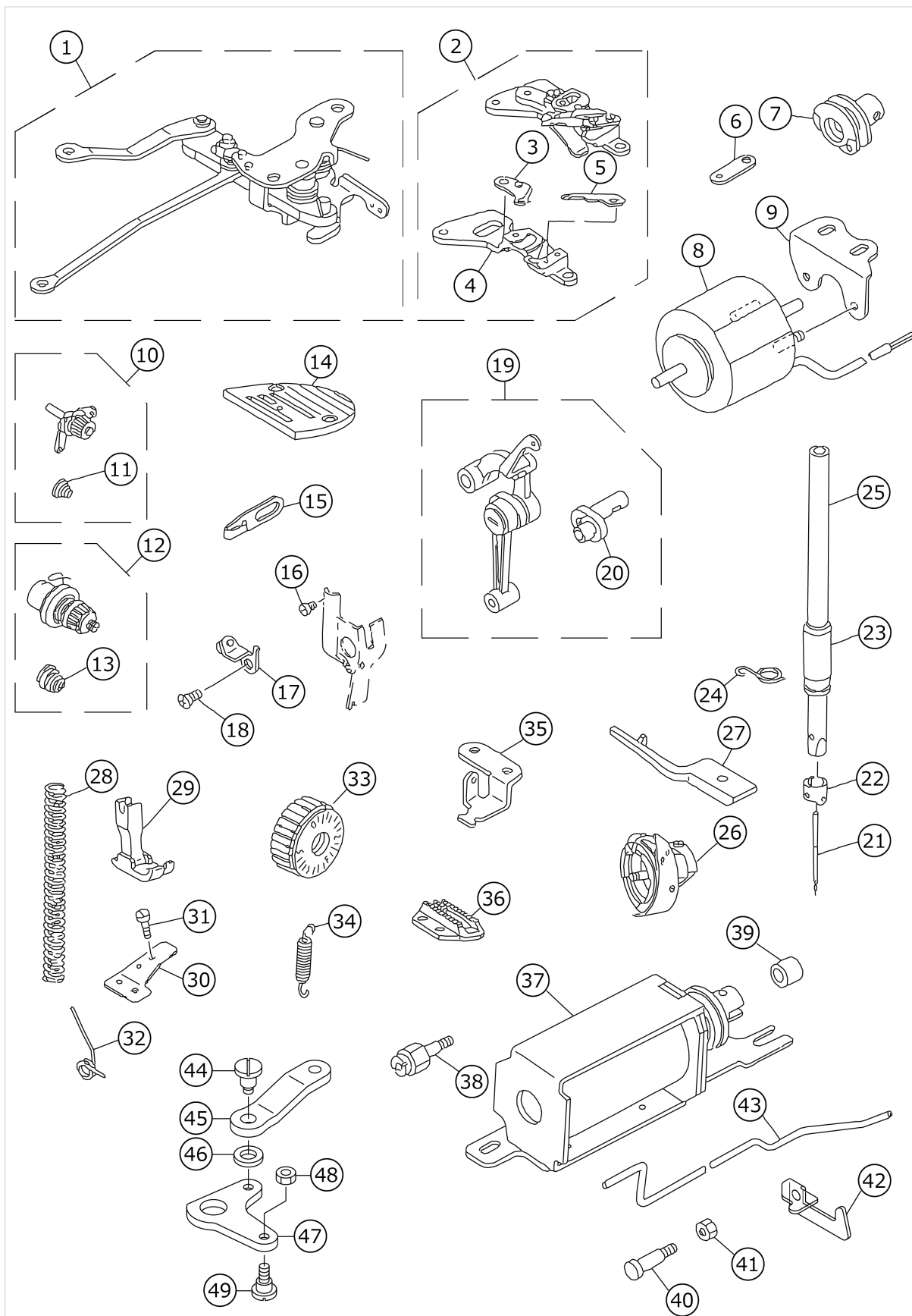
AK-30



No.	品番	品名	備考	子部品	消耗品	個数
1	GAK300060D0	PRESSER LIFTING SOLENOID ASM.				1.00
2	GAK300060B0	OIL RESERVOIR ASM.		*		1.00
3	GAK300070B0	PRESSER LIFTING SOLENOID ASM.		*		1.00
4	GAK01019000	KNUCLE		*		1.00
5	NM6100663SE	NUT M10		*		1.00
6	RE1200000K0	SNAP RING 12		*		1.00
7	GAK01018000	THRUST WASHER		*		2.00
8	GAK30013000	SPRING		*		1.00
9	GAK30012000	SOLENOID INSTALLING BRACKET, B		*		1.00
10	GAK300070A0	PRESSER LIFTING SOLENOID ASM.		*		1.00
11	GAK30011000	SOLENOID INSTALLING BRACKET A		*		1.00
12	SM4051001SB	SCREW M5X0.8 L=10		*		4.00
13	WS0511302KB	SPRING WASHER M5		*		4.00
14	SM4030801SB	SCREW M3 L=8		*		1.00
15	WS0310702KS	SPRING WASHER		*		1.00
16	GAK01016000	CORD HOLDER		*		1.00
17	GAK020210A0	PRESSER LIFTING CORD ASM.		*		1.00
18	SM4030801SB	SCREW M3 L=8		*		2.00
19	WS0310702KS	SPRING WASHER		*		2.00
20	GAK01014000	2-POLE RECEPTACLE BASE		*		1.00
21	WS0511302KB	SPRING WASHER M5		*		4.00
22	SM4051001SB	SCREW M5X0.8 L=10		*		4.00
23	HG26740147P	DIODE IN5625		*		1.00
24	SM4030801SB	SCREW M3 L=8		*		2.00
25	WS0310702KS	SPRING WASHER		*		2.00
26	HR003601000	RESISTOR 10 OHM 20W		*		1.00
27	HW2F18S1212	STRANDED WIRE, RED		*		0.10
28	GAK01015000	2P TERMINAL BASE		*		1.00
29	GAK30016000	COVER		*		1.00
30	WP0330501SB	WASHER M3		*		2.00
31	WS0310702KS	SPRING WASHER		*		2.00
32	SM4031401SB	SCREW M3 L=14		*		2.00
33	WP0330500MB	WASHER 3.3X6X0.5		*		2.00
34	WS0310702KS	SPRING WASHER		*		2.00
35	SM4030801SB	SCREW M3 L=8		*		2.00
36	GAK300060A0	OIL RESERVOIR ASM.		*		1.00
37	11047107	RUBBER CUSHION		*		4.00
38	11023108	GASKET		*		1.00
39	GAK30006000	OIL RESERVOIR		*		1.00
40	SS6700710SH	SCREW		*		1.00
41	RO098240100	RUBBER RING		*		1.00
42	MAO12002000	PEDAL SWITCH FRAME STUD		*		2.00
43	GAK01004000	LEVER CONNECTING ROD		*		1.00
44	GAK01003B00	PRESSER LIFTER STOPPER B		*		2.00
45	SS8660530TP	SCREW 1/4-40 L= 4.5		*		2.00
46	CS1111019SH	THRUST COLLAR D=11.11 W=10		*		1.00
47	GAK30015000	PRESSER LIFTING LEVER		*		1.00
48	SS7151210SP	SCREW 15/64-28 L=12		*		1.00
49	NM6060003SC	NUT M6		*		2.00
50	RE0320000K0	SNAP RING 3.2		*		4.00

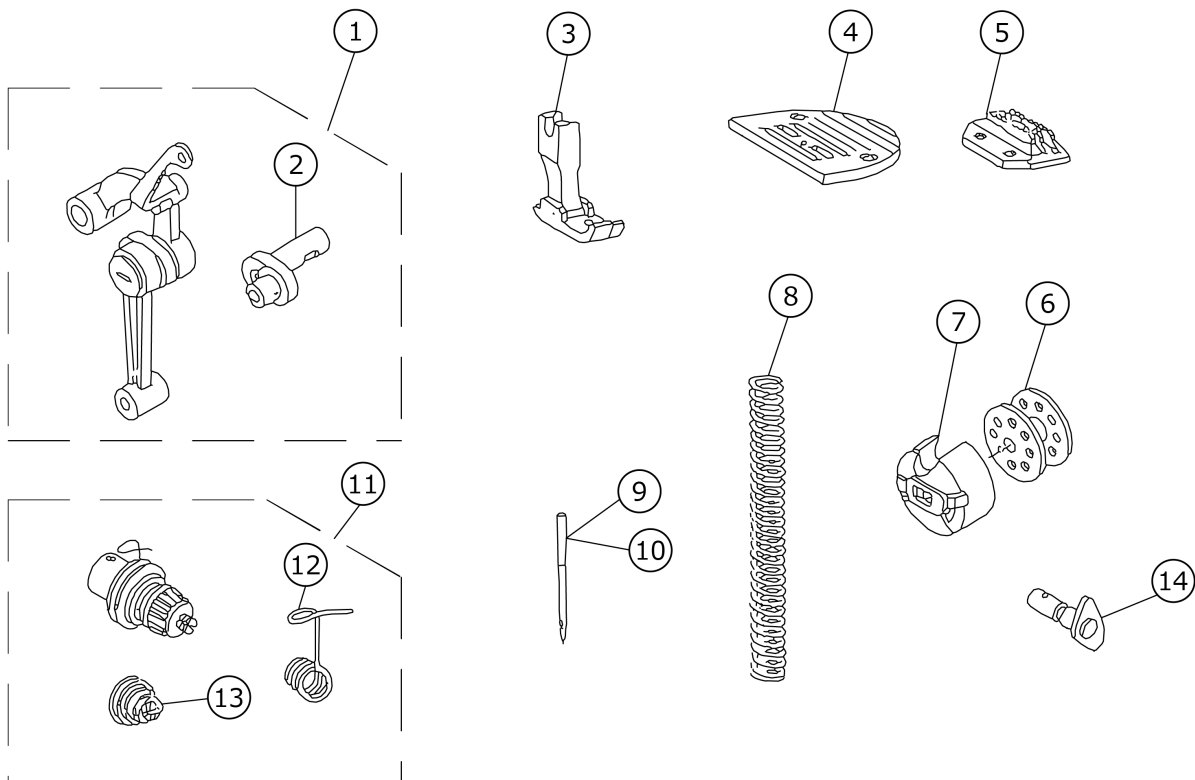
51	RE1000000K0	E-RING		*		3.00
52	GAK30014000	PRESSER LIFTING SHAFT		*		1.00
53	WP0621016SD	WASHER 6.2X13X1		*		2.00
54	GAK30005000	SPRING		*		1.00
55	GAK300010B0	KNEE PRESS LIFTER ROD ASM.		*		1.00
56	GAK30004000	KNEE PRESS LIFTER ROD		*		1.00
57	RE0400000K0	E-SHAPED SNAP RING (4MM)		*		1.00
58	SK3514000SC	WOOD SCREW D=5.1 L=40		*		2.00
59	WP0570716SE	WASHER		*		2.00
60	GAK010220B0	LIFTER KNEE SWITCH ASM. B		*		1.00
61	MAT80230T00	KNEE SWITCH SUPPORT BASE		*		2.00
62	MAT80231T00	DRIVING BAR, T002		*		1.00
63	GAK010220A0	KNEE SWITCH ASM.		*		1.00
64	SS6151220SP	SCREW 15/64-28 L=11.5		*		4.00
65	SS7111410SP	SCREW 11/64-40 L=14		*		2.00
66	SK3514000SC	WOOD SCREW D=5.1 L=40		*		2.00

EXCLUSIVE PARTS FOR DDL-5570N-H



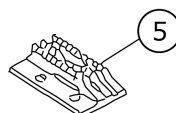
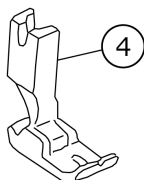
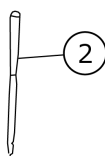
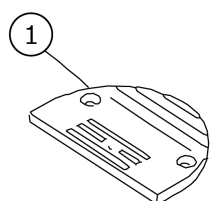
No.	品番	品名	備考	子部品	消耗品	個数
1	11093366	THREAD TRIMMER DRIVING ASM.				1.00
2	11093168	KNIFE MOUNTING BASE ASM.		*		1.00
3	11093259	MOVING KNIFE ASM.		*		1.00
4	11093101	KNIFE MOUNTING BASE		*		1.00
5	D2407415D00	THREAD GUIDE, LOWER		*		1.00
6	11094604	CLUTCH LINK				1.00
7	11094703	THREAD TRIMMER CAM.				1.00
8	11094851	THREAD TRIMMER SOLENOID				1.00
9	11094901	SOLENOID BASE				1.00
10	11073954	THREAD TENSION ASM.				1.00
11	11093606	THREAD TENSION SPRING		*		1.00
12	11073657	THREAD TENSION ASM.				1.00
13	B3114232000	THREAD TENSION SPRING		*		1.00
14	11074101	THROAT PLATE H				1.00
15	11091006	ARM THREAD GUIDE (HA)				1.00
16	SS6080320SP	SCREW 1/8-44 L= 2.5				1.00
17	11095254	LEVER STOPPER ASM.				1.00
18	SS1120710SP	SCREW				1.00
19	11091659	LINK THREAD TAKE-UP LEVER ASM.				1.00
20	11091600	NEEDLE BAR CRANK H		*		1.00
21	MDB100B2200	NEEDLE DBX1 #22				1.00
22	11091501	NEEDLE BAR THREAD GUIDE H				1.00
23	B1403553000	NEEDLE BAR BUSHING, LOWER				1.00
24	B1419553000	NEEDLE BAR THREAD GUIDE				1.00
25	11091303	NEEDLE BAR				1.00
26	11092251	LUBRICATING HOOK ASM.				1.00
27	11093804	POSITIONING FINGER H				1.00
28	B1505552000A	PRESSER SPRING				1.00
29	B1511543BA0	PRESSER FOOT ASM.				1.00
30	11230901	WIRE PRESSER PLATE, B				1.00
31	SS7110740TP	SCREW 11/64-40 L=7				1.00
32	11094000	TENSION RELEASE RETURN SPRING				1.00
33	11071909	FEED DIAL				1.00
34	11091204	ADJUST LINK SPRING				1.00
35	11091907	FEED SPRING HOOK				1.00
36	B1613555H00	FEED DOG (H)				1.00
37	11095056	SOLENOID FITTING BASE ASM.				1.00
38	11231503	OIL PUMP SUPPORT				1.00
39	11228103	REVERSE FEED BASE COLLAR				1.00
40	11314408	PLUNGER ARM PIN				1.00
41	NS6110350SP	NUT 11/64-40				1.00
42	11228301	TUBE HOLDER, LOWER				1.00
43	11094109	OIL TUBE				1.00
44	11101706	HINGE SCREW				1.00
45	11101607	SOLENOID CONNECTING LINK				1.00
46	11101904	WASHER				1.00
47	11101508	REVERSE FEED LINK				1.00
48	NS6110350SP	NUT 11/64-40				1.00
49	11101805	HING SCREW				1.00

EXCLUSIVE PARTS FOR DDL-5570N-A,5580N-A



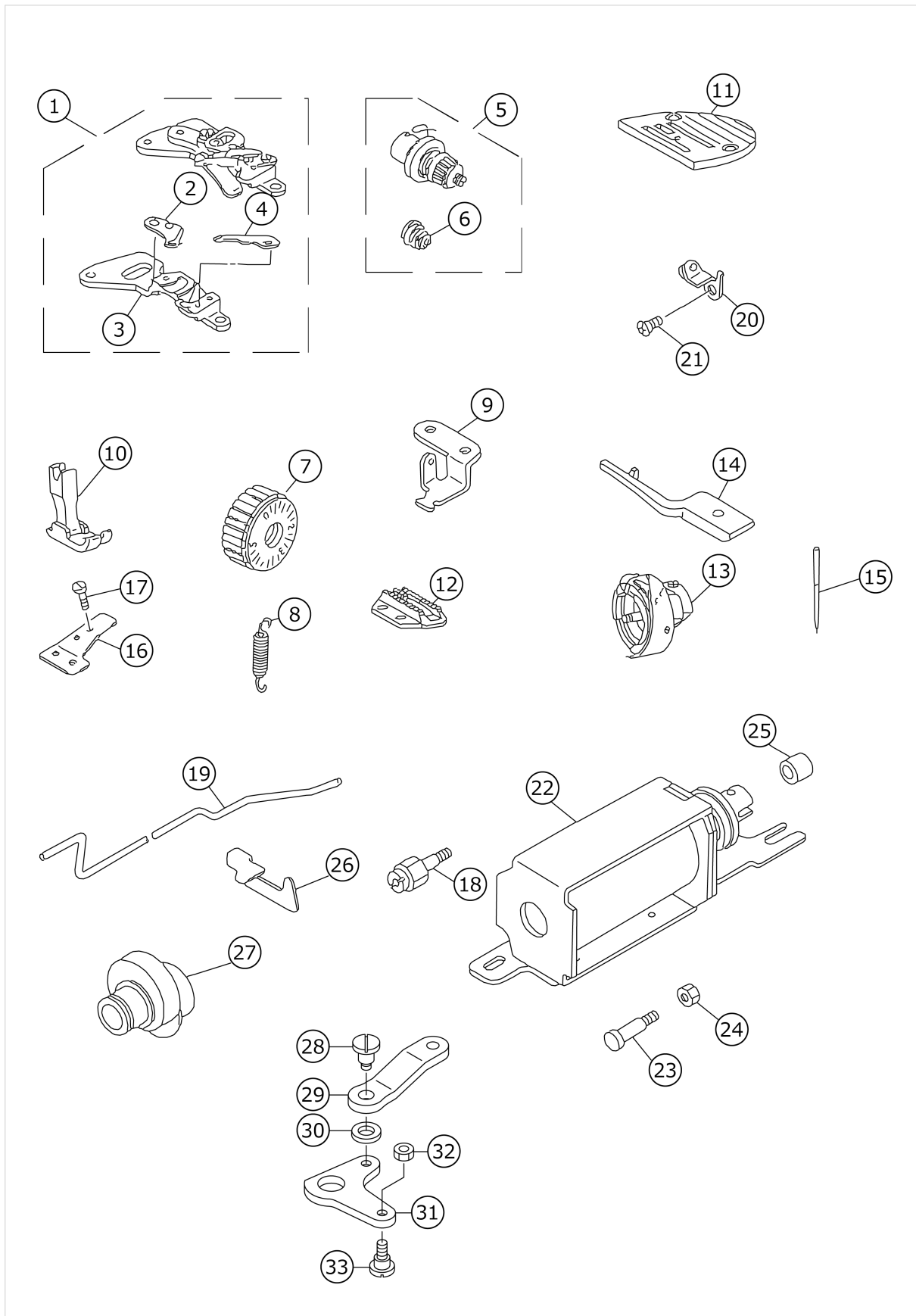
No.	品番	品名	備考	子部品	消耗品	個数
1	11091857	LINK THREAD TAKE-UP LEVER ASM.				1.00
2	11091808	NEEDLE BAR CRANK A		*		1.00
3	D1524555DA0	PRESSER FOOT ASM.				1.00
4	11074002	THROAT PLATE A				1.00
5	B1613012I00	FEED DOG I				1.00
6	B9117552A00	BOBBIN				1.00
7	B18370120A0	BOBBIN CASE ASM.				1.00
8	B1505227T00A	PRESSER SPRING T				1.00
9	MDA100B1100	NEEDLE DAX1 #11				1.00
10	MDA100B0900	NEEDLE DAX1 #9				1.00
11	11073756	THREAD TENSION ASM.				1.00
12	D3128555D00	TAKE-UP SPRING		*		1.00
13	D3129555D00	THREAD TENSION SPRING				1.00
14	11092558	HAND LIFTER CAM ASM.				1.00

EXCLUSIVE PARTS FOR DDL-5570N-K,5580N-K



No.	品番	品名	備考	子部品	消耗品	個数
1	11001906	THROAT PLATE K				1.00
2	MDB100B0900	NEEDLE DBX1 #9				1.00
3	11092558	HAND LIFTER CAM ASM.				1.00
4	D1524555DA0	PRESSER FOOT ASM.				1.00
5	D1613155W00	FEED DOG W				1.00

EXCLUSIVE PARTS FOR DDL-5570N-M,5580N-M



No.	品番	品名	備考	子部品	消耗品	個数
1	11081254	KNIFE UNIT				1.00
2	11320058	MOVING KNIFE ASM.		*		1.00
3	11093101	KNIFE MOUNTING BASE		*		1.00
4	D2407415D00	THREAD GUIDE, LOWER		*		1.00
5	11073657	THREAD TENSION ASM.				1.00
6	B3114232000	THREAD TENSION SPRING		*		1.00
7	11071909	FEED DIAL				1.00
8	11091204	ADJUST LINK SPRING				1.00
9	11091907	FEED SPRING HOOK				1.00
10	11080355	PRESSER ASM.				1.00
11	11080009	THROAT PLATE				1.00
12	11080603	FEED				1.00
13	11092251	LUBRICATING HOOK ASM.				1.00
14	11093804	POSITIONING FINGER H				1.00
15	MDB100B1600	NEEDLE DBX1 #16				1.00
16	11230901	WIRE PRESSER PLATE, B				1.00
17	SS7110740TP	SCREW 11/64-40 L=7				1.00
18	11231503	OIL PUMP SUPPORT				1.00
19	11094109	OIL TUBE				1.00
20	11095254	LEVER STOPPER ASM.				1.00
21	SS1120710SP	SCREW				1.00
22	11095056	SOLENOID FITTING BASE ASM.				1.00
23	11314408	PLUNGER ARM PIN				1.00
24	NS6110350SP	NUT 11/64-40				1.00
25	11228103	REVERSE FEED BASE COLLAR				1.00
26	11228301	TUBE HOLDER, LOWER				1.00
27	11080900	FEED DRIVE ECCENTRIC CAM				1.00
28	11101706	HINGE SCREW				1.00
29	11101607	SOLENOID CONNECTING LINK				1.00
30	11101904	WASHER				1.00
31	11101508	REVERSE FEED LINK				1.00
32	NS6110350SP	NUT 11/64-40				1.00
33	11101805	HING SCREW				1.00

HOW TO MAKE USE OF THIS PARTS LIST

1.As to "#01" and "#02" refer to the "Note" given at the bottom of the respective pages.

2.Codes on the "Qty" column

- Each numeral indicates the number of parts required.
- "0.1" and "2.5" indicate the length (in meters) of the respective parts.

3.Parentheses mean that the corresponding part is a subpart that constructs an assembly part.

4.Dotted lines on the Figures indicate assembly parts.

1. リストページの# 0 1、# 0 2の印は、ページ下の"注記"の説明を参照下さい。
2. 数量欄の数字は、個数を表し、0. 1、2. 5等の数値は、長さ（単位メートル）を表します。
3. 数量欄の（ ）は、組部品を構成している子部品であることを意味します。
4. イラストページの-----枠は、組構成であることを意味します。